



LARK 150

User Manual

V1.0.0

HOLLYVIEW

Powered by Hollyland

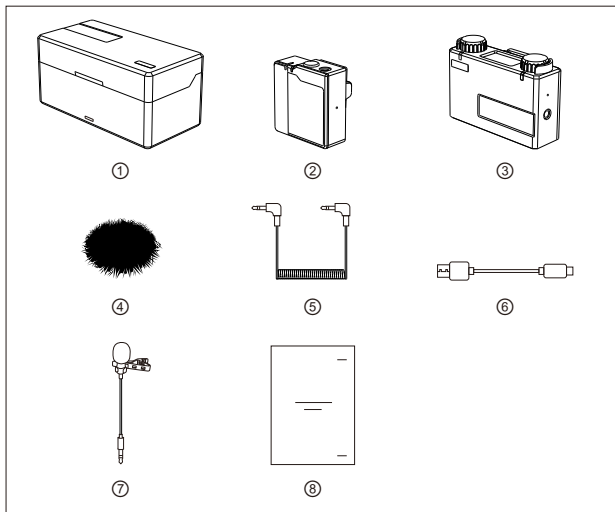
FOREWORD

Thank you for purchasing Hollyland LARK 150 wireless microphone. Please read this instruction carefully before using the product. Wish you have a pleasant experience.

■ KEY FEATURES

- 5ms Latency with up to 100m Range
- 2 TX & 1 RX Combo
- 2.4GHz Digital Wireless Transmission with Clear Sound Under Any Conditions
- Mini Size with Lightweight
- Professional-Grade Sound Quality
- Built-In Lithium Batteries, with an Ultra Long Run Time
- 21-Stage Digital Gain Adjustment
- Contact Charging Case
- In-Built Mic and LavMic Switching Automatically
- Multiple Systems Using in One Location

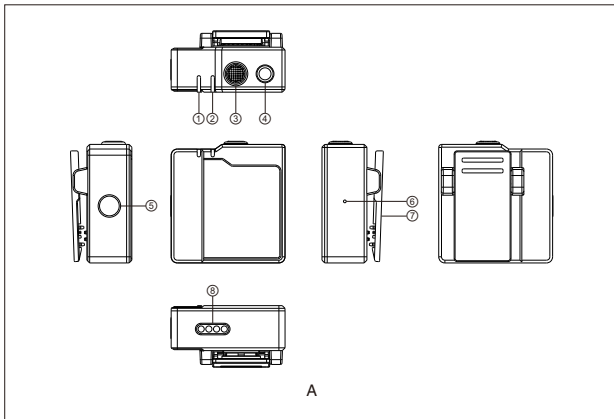
PACKING LIST



PACKING LIST OF TWO TRANSMITTERS AND ONE RECEIVER

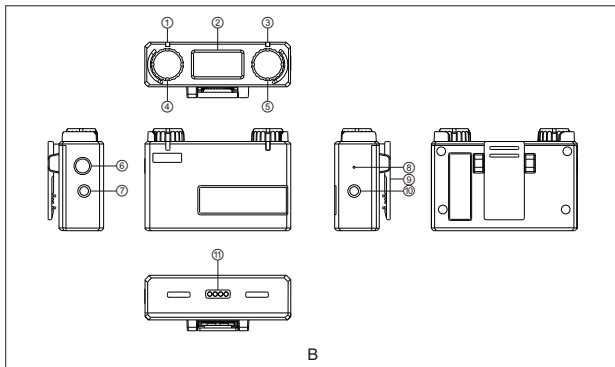
| | |
|------------------------------|----|
| ① Charging Case | x1 |
| ② Transmitter | x2 |
| ③ Receiver | x1 |
| ④ Furry Windshield | x2 |
| ⑤ 3.5mm TRS Cable | x1 |
| ⑥ USB Type-A to Type-C Cable | x1 |
| ⑦ Lavalier Microphone | x2 |
| ⑧ User Guide | x1 |

* The exact quantity may vary on products configuration. Please take the actual quantity as standard.



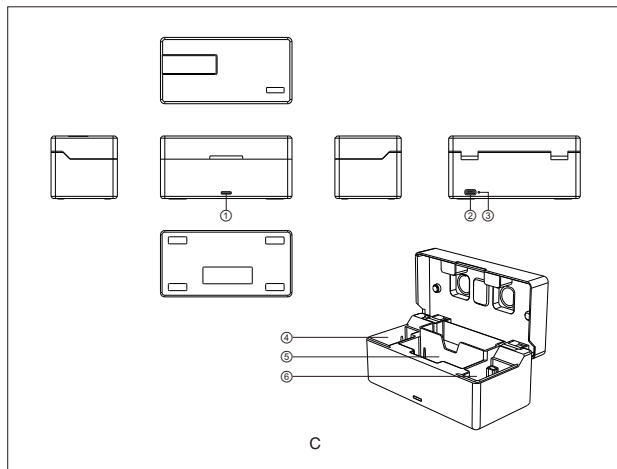
A TRANSMITTER

- ① Power Indicator (Red: Low Battery, Green: Safe Battery Status, Orange: Charging)
- ② Link Indicator (Blue/Cyan Flashing: Disconnected, Blue/Cyan: Connected, Orange: MIC Mute)
- ③ In-built Microphone
- ④ 3.5mm Audio Input Port
- ⑤ Power Button (Press for 3s to Switch On/Off, Click to Mute)
- ⑥ Reset Button
- ⑦ Installed Belt Clip
- ⑧ Charging/Upgrade Contact



B RECEIVER

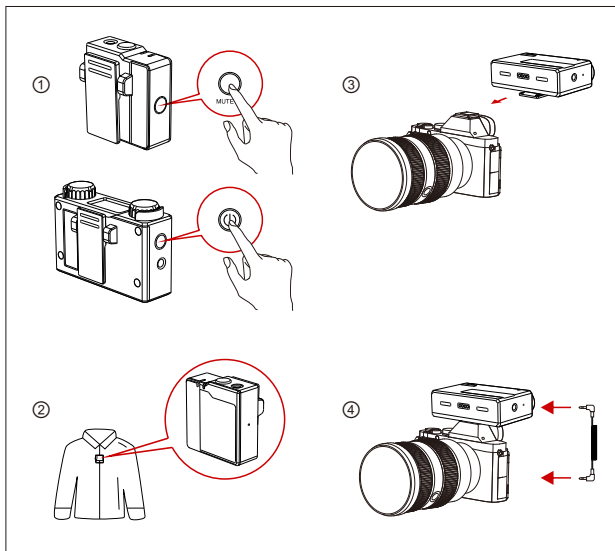
- ① Link Indicator (Left Channel)
- ② Display Screen
- ③ Link Indicator (Right Channel)
- ④ Volume Knob (Left Channel): Adjust the Volume of the Left TX
/Recording Mode Switch Button: Press to Switch the Recording Mode
/Left TX Mute Button: Click to Mute the Left TX
- ⑤ Volume Knob (Right Channel): Adjust the Volume of the Right TX
/Channel Switch Mode: Press to Switch the Channel when Stereo Mode
/Right TX Mute Button: Click to Mute the Right TX
- ⑥ Power Button (Press for 3s to Switch On/Off)
- ⑦ 3.5mm Headphone Monitoring Port
- ⑧ Reset Button
- ⑨ Belt Clip
- ⑩ 3.5mm Audio Output Port
- ⑪ Charging/Upgrade Contact



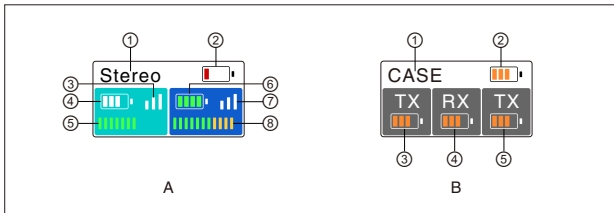
C CHARGING CASE

- ① Power Indicator (Red: Low Battery, Green: Safe Battery Status, Orange: Charging)
- ② USB Type-C Port for Charging
- ③ Reset Button
- ④ TX Charging Slot
- ⑤ RX Charging Slot
- ⑥ TX Charging Slot

PRODUCT INSTALLATION



- ① Press Power Button of TX/RX for 3s to switch on.
- ② Install TX as Figure2.
- ③ Install RX on the Camera.
- ④ Connect the 3.5mm Audio output port of RX with 3.5mm Audio input port of the camera by 3.5mm TRS cable.



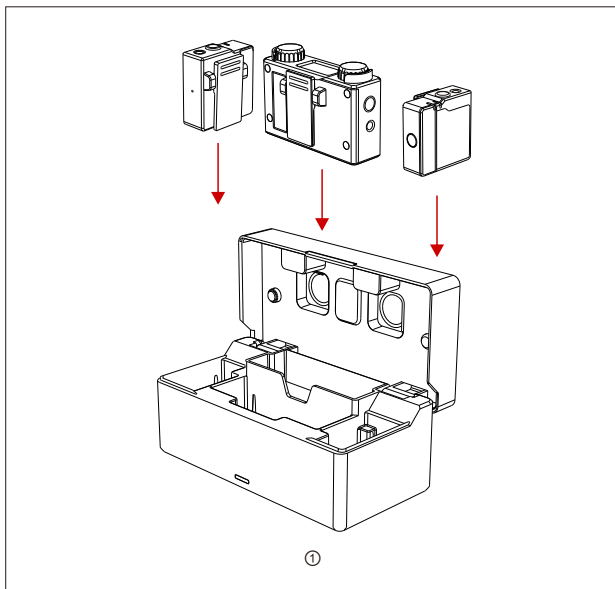
A DISPLAY OF RX

- ① Current Recording Mode of RX
- ② RX Battery Status
- ③ Cyan TX Signal Strength Status
- ④ Cyan TX Battery Status
- ⑤ Cyan TX Input Volume Status
- ⑥ Blue TX Battery Status
- ⑦ Blue TX Signal Strength Status
- ⑧ Blue TX Input Volume Status

The TX color displayed on main display screen of RX relates to the channel switch and recording mode, the indicators of RX represents the corresponding TX

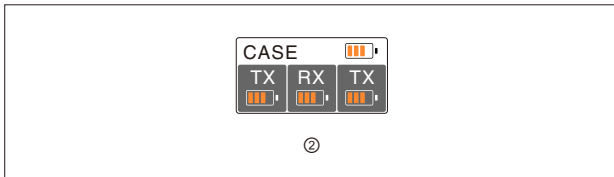
B DISPLAY OF RX CHARGING CASE

- ① Identification of Charging Case
- ② Charging Case Battery Status (Orange: Charging, Green: Full-Charged)
- ③ Left TX Battery Status (Orange: Charging, Green: Full-Charged)
- ④ RX Battery Status (Orange: Charging, Green: Full-Charged)
- ⑤ Right TX Battery Status (Orange: Charging, Green: Full-Charged)



① PAIRING

- 1.Put TX and RX into the charging case at the same time, the unpaired devices will be paired automatically.
- 2.Display "√" when pair successfully.
- 3.Display "X" when pair failed.



② CHARGING

1.It means low battery when the power indicator or the battery icon of RX display screen is red.

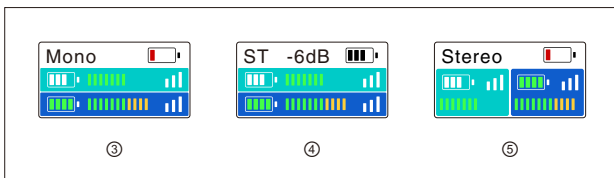
2.TX and RX will be charged when placed into charging case.

3.The indicator of TX will display orange when charging. After placed into the charging case, TX, RX and charging case's current battery status will be displayed on the screen of RX.

4.When TX and RX are fully charged, the devices will automatically enter sleep mode.

5.When taking out or putting in TX or TX, the device will automatically wake up and start up.

6.The indicator of charging case will display red and stop charging TX or RX when the battery energy is less than 10%.



③ Mono Mode

1. After taking out, start up and successfully paired TX and RX.
2. Long press left button for 3s to recording mode. Switch successful when the screen displayed "Mono".
3. At this time RX switched to mono mode, both left and right channel outputs two audios of TX.
4. Volume of TX corresponds the indicator could be adjustable at this time by knob.

④ Safety Track Mode

1. After taking out, start up and successfully paired TX and RX.
2. Long press left button for 3s to recording mode. Switch successful when the screen displayed "ST".
3. At this time RX switched to ST mode, both left and right channels output two audios of TX, but the sound of right channel is 6dB less than left channel, in order to make sure one of the channels is in the safe output volume.
4. Volume of TX corresponds the indicator could be adjustable at this time by the knob.

⑤ Stereo Mode

1. After taking out, start up and successfully paired TX and RX.
2. Long press left button for 3s to recording mode. Switch successful when the screen displayed "Stereo".
3. At this time RX switched to Stereo mode. Left side of display screen corresponds to left channel output, right side of display screen corresponds to right channel output.
4. Left knob controls output volume of left TX which corresponds left channel, right knob controls output volume of right TX which corresponds right channel.
5. Long press right button for 3s can exchange left and right channels' output and the TX info displayed on the main screen. The original TX on the left will be displayed on the right, the volume knob control will also be exchanged.

PARAMETERS

| | |
|---|---|
| Interfaces | <p>TX: 3.5mm Audio Input Port Charging/Upgrading Contacts RX: 3.5 mm TRS Output Interface 3.5mm Headset Interface Charging/Upgrading Contacts Charging Case: USB Type-C Interface</p> |
| Frequency Bandwidth | 2.4GHz AFH |
| Built-In Mic | <p>Polar Pattern: Omnidirectional Frequency Response: 20Hz-20KHz</p> |
| Lavalier Mic | <p>Polar Pattern: Omnidirectional Frequency Response: 20Hz-20KHz</p> |
| Reference Audio Input Level | -65 dBV |
| Maximum Input Sound Pressure Level | 100dB SPL (1KHz@1m) |
| Dynamic Range | 100 dBA |
| Polar Pattern | Omnidirectional |
| Audio Output Level Change Range | 21-State: 45dB |
| Transmission Latency | 5ms |
| Battery Mode | <p>TX: 200mAh (0.76Wh) RX: 530mAh (1.96Wh) Charging Case: 3350mAh (12.16Wh)</p> |
| Battery Life | <p>TX: 4.5h RX: 7.5h Charging Case: About 2.5 times (Charge 2 TX and 1 RX at the Same Time in Full Charged States)</p> |
| Charging Time | <p>TX: 1.5h RX: 2h Charging Case: 2.5h</p> |
| Firmware Upgrade Method | PC |
| Dimensions | <p>TX: (L*W*H) 37*37*17.5mm RX: (L*W*H) 67*41*20.5mm Charging Case: (L*W*H) 121*61*43.5mm</p> |
| Weight | <p>TX: 20.5g RX: 51g Charging Case: 227.5g</p> |

SUPPORT

If encounter any problems in using the product or need any help, please follow these ways to get more technical support:

 Hollyland Products User Group

 HollylandTech

 HollylandTech

 support@hollyland-tech.com

 www.hollyland-tech.com



 Hollyland Products User Group

 HollylandTech

 HollylandTech

 support@hollyland-tech.com

 www.hollyland-tech.com

SHENZHEN HOLLYLAND TECHNOLOGY CO., LTD

8F, 5D Building, Skyworth Innovation Valley, Tangtou, Shiyan, Baoan District Shenzhen, China.